



SPECIFICATIONS

1 General

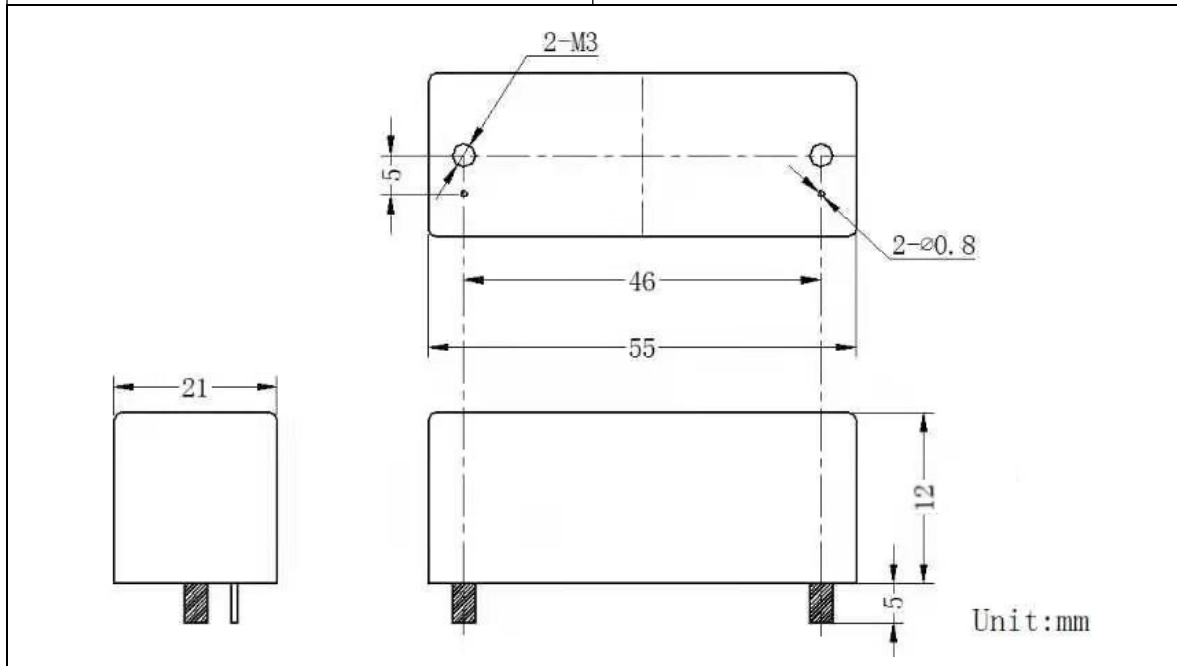
Part Number	Description
5.0475M017D50	5.0475MHz crystal filter, Band Pass, DIP package

2 Revision History

Revision	Released	Revision Detail
R1	2021-3-2	Initial release

3 Electrical Specification

Item	Typical
Nominal Frequency (Fc, MHz) *	5.0475±0.15kHz
Insertion Loss (dB)	5.0
Ripple within Pass Band (dB)	1.0
Pass Band at -3dB (kHz)	1.7
Bandwidth at 80dB Attenuation (kHz)	4.8
Attenuation at Fc±100kHz (dB)	80
Input / Output Impedance (Ω)	50
Operation Temperature (°C)	-55 ~ +85
Storage Temperature (°C)	-55 ~ +85
Package Size (mm)	55x21x12



注：*项暂不做全温考核指标。